

3.4 INSTALL STABILIZERS AND LOWER SPADES

3.4.1 Install stabilizers.

Install both Stabilizers on frame track. To do so, place Stabilizer on crane. Stabilizer can be lifted over frame then placed on tracks. See figure 3.15.



WARNING: Be careful when handling stabilizers! Inappropriate handling of these pieces of equipment could lead to serious injuries! Always use professional riggers.

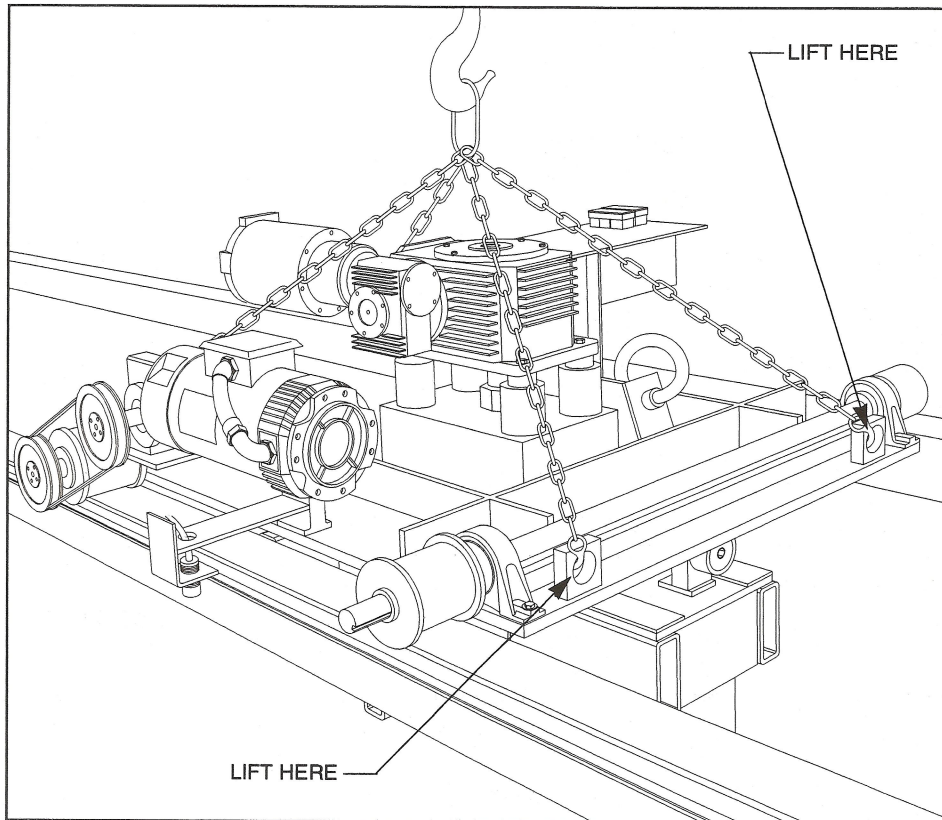


Figure 3.15 INSTALLING STABILIZERS ON FRAME TRACKS.